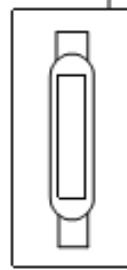
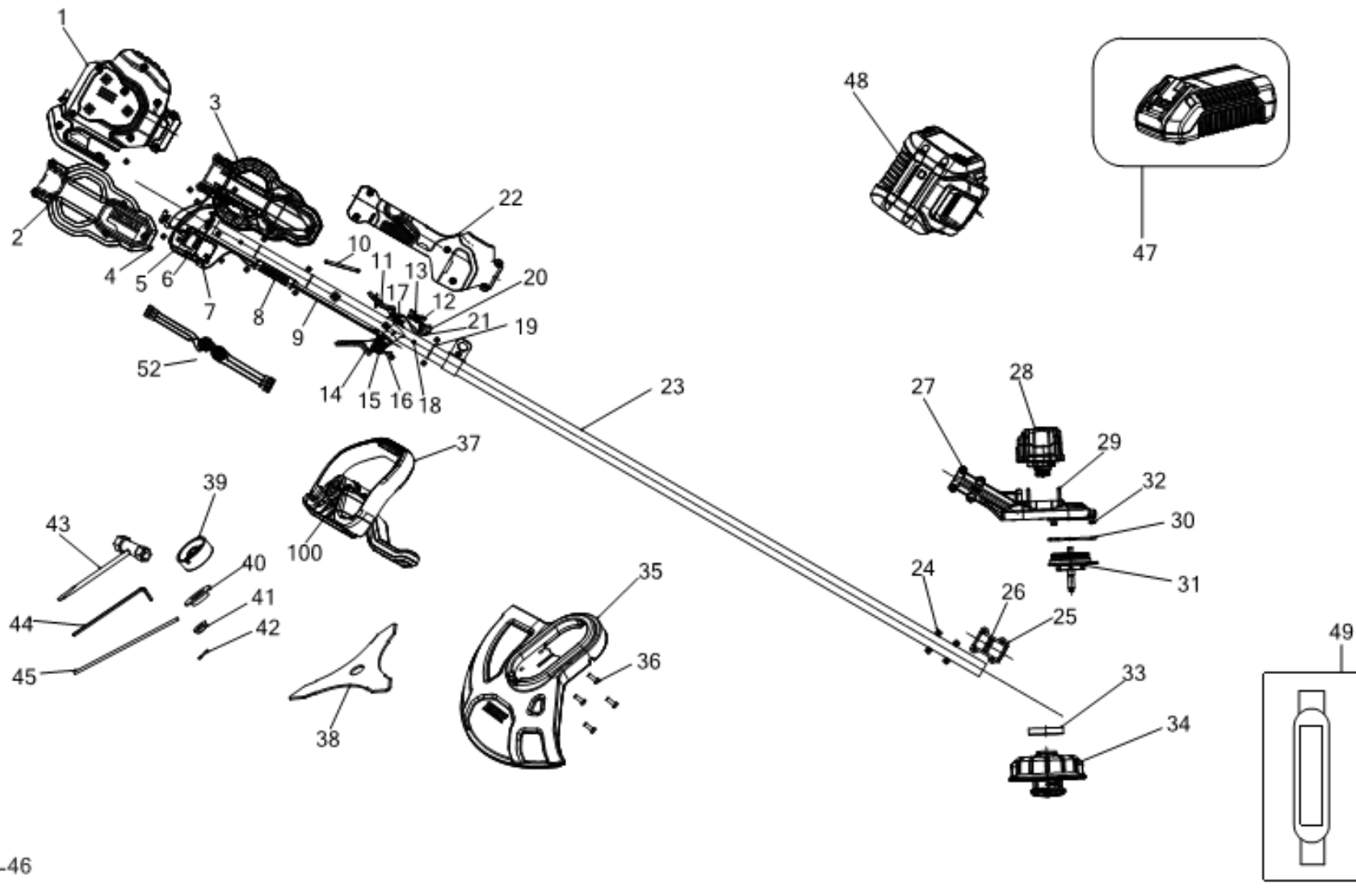


# DCM571 STRING TRIMMER 1



## Parts List DCM571 STRING TRIMMER 1

Item	Part Number	Qty	Part Description	General Description	Other Info	Repair Inst	Markets
1	90634423	1	HOUSING SA			No	QW
2	90635382	1	COVER			No	QW
3	90635381	1	COVER			No	QW
4	330019-80	23	SCREW			No	QW
5	330019-01	2	SCREW			No	QW
6	329301-00	1	CORD CLAMP			No	QW
7	90632337	1	MODULE			No	QW
8	90603845	1	COVER			No	QW
9	90635249	1	LINK			No	QW
10	90609633	1	COVER			No	QW
11	90623756	1	ACTUATOR			No	QW
12	90602320	1	ACTUATOR			No	QW
13	N014681	1	LEAF SPRING			No	QW
14	90599030	1	TRIGGER			No	QW
15	90608942	2	PIN			No	QW
16	90602634	1	SPRING			No	QW
17	90602633	1	SPRING			No	QW
18	90608944	2	PIN			No	QW
19	90602632	3	RUBBER			No	QW
20	90600458	1	SWITCH			No	QW
21	90637693	1	HARNESS			No	QW
22	NA030786	1	HANDLE SA			No	QW
23	90641768	1	TUBE SA			No	QW
24	90614124-04	4	SCREW			No	QW
25	N498393	1	CLAMP			No	QW
26	90614124-07	1	SCREW			No	QW
27	N524494	1	COVER			No	QW
28	90639619	1	MOTOR SA			No	QW
29	330019-15	1	SCREW			No	QW
30	90636101	1	SPACER			No	QW
31	N566476	1	GEAR SA			No	QW
32	90614124-06	3	SCREW			No	QW

## Parts List DCM571 STRING TRIMMER 1

Item	Part Number	Qty	Part Description	General Description	Other Info	Repair Inst	Markets
33	90607066	1	SPINDLE LOCK			No	QW
34	90639691	1	SPOOL			No	QW
35	90636492	1	GUARD			No	QW
36	90614124-06	4	SCREW			No	QW
37	90639701	1	HANDLE SA			No	QW
38	90636549	1	BLADE			No	QW
39	90636493	1	WASHER			No	QW
40	90635753	1	WASHER			No	QW
41	90636551	1	NUT			No	QW
42	90636552	5	PIN			No	QW
43	90640127	1	WRENCH SPECIAL			No	QW
44	90641326	1	WRENCH SPECIAL			No	QW
45	90642276	1	LOCK			No	QW
46	N509769	1	RATING LABEL			No	QW
47	N473860	1	CHARGER	DCB118-QW		No	QW
48	N491552	1	BATTERY 3 X18V-9.0AH-162WH	DCB547-XJ		No	QW
49	N502343	1	STRAP			No	QW
50	90636612	1	RETAINER			No	QW
51	90628376	1	SCREW			No	QW
52	N503404	1	CONNECTING WIRE			No	QW
100	90614038	4	SCREW			No	QW